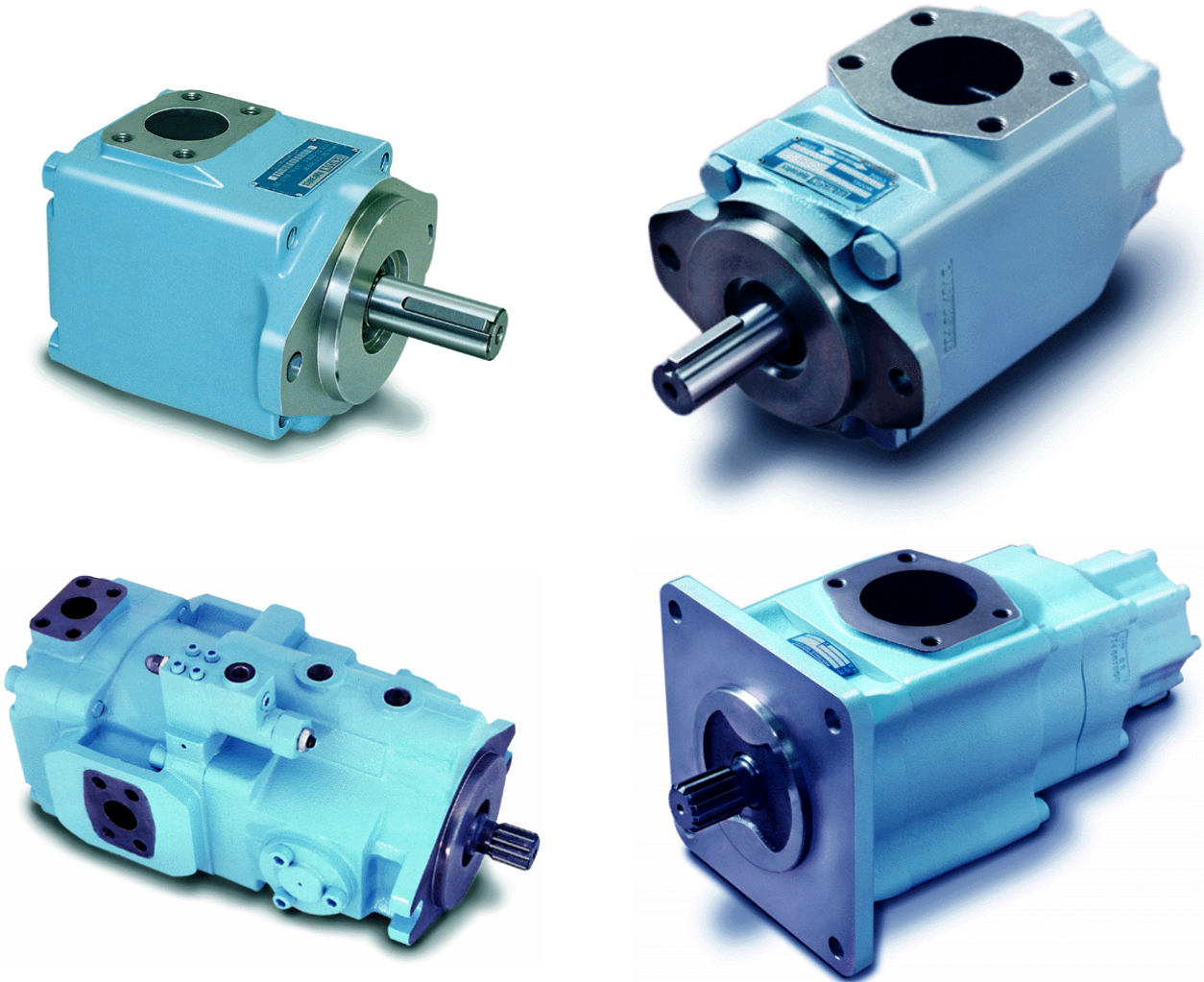


Denison Hydraulics

Vane Pumps T7, T67, T6 Series Service & Conversion Kits



Ref : 02-EN-SVC VANE KITS-H1 (Nov-2005)

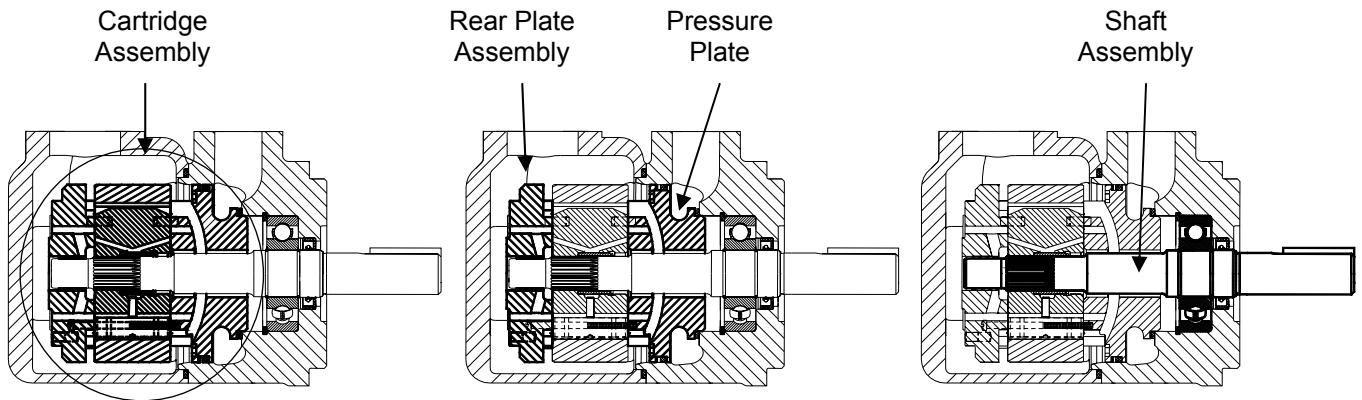
Contents

1. Camrings & Cartridges : Industrial Series.....	2
2. Camrings & Cartridges : Mobile Series.....	6
3. Shaft Assemblies & Seal Kits	8
4. Rear adapter & coupling.....	9
5. Port-Plates	10

1. Industrial Series

Notes

- **B** and **C** size cartridges are interchangeable within same position in housing (example : **T6CC** and **T67CB**).
- **D** cartridges, **6** and **7** series are interchangeable within same position in housing (example : **T67DB** and **T7DB**).
- **E** cartridges, **6** and **7** series are interchangeable within same position in housing (example : **T67EB** and **T7EB**).
- **D** cartridges parts, **6** and **7** series are **not interchangeable**.
- **E** cartridges parts, **6** and **7** series are **interchangeable**.
- This document refers to the followings repair kits and sub-assemblies (single pump shown for reference) :



Size		Series	Cartridges ¹						
Cam	ml/rev.	Cam Code	Rotation ²			T67DB _B	T67DB _B T67EB _B		
				T7 _B	T7 _{BB}	T7 _B T67CB _B T7DB _B T67DC _B T6H20 _B T6H29 _B	T7DB _B T7EB _B	T67D _{BB}	T7D _{BB}
B02	5.8	034-66909	R (CW)	S24-50144	S24-58078	S24-50610	S24-51513	S24-59709	
			L (CCW)	S24-50145	S24-58079	S24-50611	S24-51514	S24-59710	
B03	9.8	034-66910	R (CW)	S24-50146	S24-58080	S24-50612	S24-51515	S24-59711	
			L (CCW)	S24-50147	S24-58081	S24-50613	S24-51516	S24-59712	
B04	12.8	034-66911	R (CW)	S24-50148	S24-58082	S24-50614	S24-51517	S24-59713	
			L (CCW)	S24-50149	S24-58083	S24-50615	S24-51518	S24-59714	
B05	15.9	034-66912	R (CW)	S24-50150	S24-58084	S24-50616	S24-51519	S24-59715	
			L (CCW)	S24-50151	S24-58085	S24-50617	S24-51520	S24-59716	
B06	19.8	034-66913	R (CW)	S24-50152	S24-58086	S24-50618	S24-51521	S24-59717	
			L (CCW)	S24-50153	S24-58087	S24-50619	S24-51522	S24-59718	
B07	22.5	034-67063	R (CW)	S24-59970	S24-59974	S24-59907	S24-59972	S24-59976	
			L (CCW)	S24-59971	S24-59975	S24-59908	S24-59973	S24-59977	
B08	24.9	034-66914	R (CW)	S24-50154	S24-58088	S24-50620	S24-51523	S24-59719	
			L (CCW)	S24-50155	S24-58089	S24-50621	S24-51524	S24-59720	
B09	28.0	034-67383	R (CW)	S24-77219	S24-77225	S24-72910	S2477376	S24-77916	
			L (CCW)	S24-77220	S24-77226	S24-72697	S24-77377	S24-59917	
B10	31.8	034-66915	R (CW)	S24-50156	S24-58090	S24-50622	S24-51525	S24-59721	
			L (CCW)	S24-50157	S24-58091	S24-50623	S24-51526	S24-59722	
B11	35.0	034-67461	R (CW)	S24-77221	S24-77227	S2477173	S24-77378	S24-77918	
			L (CCW)	S24-77223	S24-77228	S24-76880	S24-77379	S24-77919	
B12	41.0	034-67032	R (CW)	S24-59005	S24-59013	S24-59009	S24-59017	S24-59723	
			L (CCW)	S24-59006	S24-59014	S24-59010	S24-59018	S24-59724	
B14	45.0	034-67409	R (CW)	S24-72881	S24-77229	S24-77174	S24-77380	S24-77920	
			L (CCW)	S24-77224	S24-77230	S24-77176	S24-77381	S24-77921	
B15	50.0	034-67034	R (CW)	S24-59007	S24-59015	S24-59011	S24-59019	S24-59725	
			L (CCW)	S24-59008	S24-59016	S24-59012	S24-59020	S24-59726	
Port Plates (Bi-directional)		Pressure	N	034-66923	034-66923	034-66923	034-66923	034-37060	
		Rear ass'y ³	N	S24-49791	S24-58196	S24-50642	S24-51527	S24-59751	

¹ Seal class : S**-*****-0 = Buna N (standard), S**-*****-4 = EPR, S**-*****-5 = Viton

² Rotation is given view from shaft end.

³ Port-Plates, rear assembly = Port-plate + dowel pin + bronze bush (when applicable)

1. Industrial Series

Size		Series	Cartridges ¹						
C	6	Rotation ²	T6C	T6CC T67CB	T67DC T67EC	T67DCC T67DCB	T6DC T6ED T6DD	T6CC T67DCC T67EDCC T67DDCC T6H20C T6H29C	T6CR
			Cam	ml/rev.	Cam Code				
003	10.8	034-59050	R (CW)	S24-10692	S24-10731	S24-10767	S24-25551	S24-10749	S24-26354
			L (CCW)	S24-10693	S24-10732	S24-10768	S24-25561	S24-10750	S24-26353
005	17.2	034-59051	R (CW)	S24-10694	S24-10733	S24-10769	S24-25552	S24-10751	S24-26356
			L (CCW)	S24-10695	S24-10734	S24-10770	S24-25562	S24-10752	S24-26355
006	21.3	034-59052	R (CW)	S24-10696	S24-10735	S24-10771	S24-25553	S24-10753	S24-26358
			L (CCW)	S24-10697	S24-10736	S24-10772	S24-25563	S24-10754	S24-26357
008	26.4	034-50953	R (CW)	S24-10698	S24-10737	S24-10773	S24-25554	S24-10755	S24-26360
			L (CCW)	S24-10699	S24-10738	S24-10774	S24-25564	S24-10756	S24-26359
010	34.1	034-59054	R (CW)	S24-10721	S24-10739	S24-10775	S24-25555	S24-10757	S24-26362
			L (CCW)	S24-10722	S24-10740	S24-10776	S24-25565	S24-10758	S24-26361
012	37.1	034-66595	R (CW)	S24-26478	S24-26509	S24-26480	S24-26484	S24-26482	S24-26383
			L (CCW)	S24-26479	S24-26510	S24-26481	S24-26485	S24-26483	S24-26382
014	46.0	034-59206	R (CW)	S24-10723	S24-10741	S24-10777	S24-25556	S24-10759	S24-26364
			L (CCW)	S24-10724	S24-10742	S24-10778	S24-25566	S24-10760	S24-26363
017	58.3	034-59207	R (CW)	S24-10725	S24-10743	S24-10779	S24-25557	S24-10761	S24-26366
			L (CCW)	S24-10726	S24-10744	S24-10780	S24-25567	S24-10762	S24-26365
020	63.8	034-66607	R (CW)	S24-26859	S24-26853	S24-40234	S24-40352	S24-31023	S24-31885
			L (CCW)	S24-26860	S24-26854	S24-40235	S24-40353	S24-40032	S24-50391
022	70.3	034-59208	R (CW)	S24-10727	S24-10745	S24-10781	S24-25558	S24-10763	S24-26368
			L (CCW)	S24-10728	S24-10746	S24-10782	S24-25568	S24-10764	S24-26367
025	79.3	034-59209	R (CW)	S24-10729	S24-10747	S24-10783	S24-25559	S24-10765	S24-26370
			L (CCW)	S24-10730	S24-10748	S24-10784	S24-25569	S24-10766	S24-26369
028	88.8	034-59245	R (CW)	S14-97761	S24-25510	S14-97722	S24-25560	S24-25547	S24-26372
			L (CCW)	S24-25519	S14-97738	S24-25791	S24-25570	S24-25546	S24-26371
031	100.0	034-66843	R (CW)	S24-45785	S24-45787	S24-45789	S24-45773	S24-45771	S24-49442
			L (CCW)	S24-45786	S24-45788	S24-45790	S24-45774	S24-45772	S24-49443
Port-Plates	Pressure	Rear ass'y ³	R (CW)	034-59772	034-59772	034-59773	034-66521	034-59773	034-59772
			L (CCW)	034-59773	034-59773	034-59772	034-66522	034-59772	034-59773
	Rear ass'y ³	R (CW)	S24-10803	S24-10805	S24-10809	S24-10806	S24-10807	S24-10808	
		L (CCW)	S24-10804	S24-10806	S24-10810	S24-10805	S24-10808	S24-10807	

¹ Seal class : S**-*****-0 = Buna N (standard), S**-*****-4 = EPR, S**-*****-5 = Viton

² Rotation is given view from shaft end.

³ Port-Plates, rear assembly = Port-plate + dowel pin + bronze bush (when applicable)

1. Industrial Series

Size		Series	Cartridges ¹						
D		6	Rotation ²	T6D	T6DC	T6ED	T6DD		
Cam	ml/rev.	Cam Code		T6DR T6DCC T67DBB T67DCB	T67DB T6DD T6DDC	T6EDC T67EDB	T6DDC T6H29D		
014	47.6	034-66708	R (CW) L (CCW)	S24-33849 S24-40598	S24-40791 S24-40792	S24-40795 S24-40796	S24-58160 S24-58161		
017	58.2	034-67028	R (CW) L (CCW)	S24-59955 S24-58997	S24-63800 S24-63801	S24-68491 S24-68492	S24-59677 S24-72348		
020	66.0	034-66596	R (CW) L (CCW)	S24-26486 S24-26487	S24-26490 S24-26491	S24-26492 S24-26493	S24-58262 S24-58163		
024	79.5	034-59294	R (CW) L (CCW)	S14-97784 S24-25544	S24-25891 S24-25892	S24-25893 S24-25894	S24-58164 S24-58165		
028	89.7	034-59133	R (CW) L (CCW)	S24-10837 S24-10838	S24-10849 S24-10850	S24-10861 S24-10862	S24-58166 S24-58167		
031	98.3	034-59135	R (CW) L (CCW)	S24-10839 S24-10840	S24-10851 S24-10852	S24-10863 S24-10864	S24-58168 S24-58169		
035	111.0	034-59137	R (CW) L (CCW)	S24-10841 S24-10842	S24-10853 S24-10854	S24-10865 S24-10866	S24-58170 S24-58171		
038	120.3	034-59139	R (CW) L (CCW)	S24-10843 S24-10844	S24-10855 S24-10856	S24-10867 S24-10868	S24-58172 S24-58173		
042	136.0	034-59132	R (CW) L (CCW)	S24-10845 S24-10846	S24-10857 S24-10858	S24-10869 S24-10870	S24-58174 S24-58175		
045	145.7	034-59131	R (CW) L (CCW)	S24-10847 S24-10848	S24-10859 S24-10860	S24-10871 S24-10872	S24-58176 S24-58177		
050	158.0	034-66737	R (CW) L (CCW)	S24-40028 S24-40029	S24-40236 S24-40237	S24-40387 S24-40388	S24-58178 S24-58195		
Port Plates		Pressure	R (CW) L (CCW)	034-67111 034-67113	034-67111 034-67113	034-67113 034-67111	034-67113 034-67111		
		Rear ass'y ³	R (CW) L (CCW)	S24-63709 S24-63710	S24-63950 S24-63951	S24-76148 S24-76149	S24-63710 S24-63709		
D		7	Rotation ²	T7D	T67DC	T7ED	T7DD		
Cam	ml/rev.	Cam Code		T7DR T67DCC T67DBB T67DCB	T7DB T7DD T67DDC	T67EDC T7EDB	T67DDC T6H29D		
B14	44.0	034-67469	R (CW) L (CCW)	S24-76312 S24-76313	S24-76963 S24-76964	S24-90570 S24-90571	S24-76983 S24-76984		
B17	55.0	034-67470	R (CW) L (CCW)	S24-76314 S24-76315	S24-76965 S24-76966	S24-90572 S24-90573	S24-76985 S24-76986		
B20	66.0	034-67159	R (CW) L (CCW)	S24-76316 S24-76317	S24-76967 S24-76968	S24-90574 S24-90575	S24-76987 S24-76988		
B22	70.0	034-67482	R (CW) L (CCW)	S24-76318 S24-76319	S24-76969 S24-76970	S24-90576 S24-90577	S24-76989 S24-76990		
B24	81.1	034-67158	R (CW) L (CCW)	S24-76320 S24-76321	S24-76971 S24-76972	S24-90578 S24-90579	S24-76991 S24-76992		
B28	90.0	034-67157	R (CW) L (CCW)	S24-76322 S24-76323	S24-76973 S24-76974	S24-90580 S24-90581	S24-76993 S24-76994		
B31	99.2	034-67156	R (CW) L (CCW)	S24-76324 S24-76325	S24-76975 S24-76976	S24-90582 S24-90583	S24-76995 S24-76996		
B35	113.4	034-67155	R (CW) L (CCW)	S24-76326 S24-76327	S24-76977 S24-76978	S24-90584 S24-90585	S24-76997 S24-76998		
B38	120.6	034-67154	R (CW) L (CCW)	S24-76328 S24-76329	S24-76979 S24-76980	S24-90586 S24-90587	S24-76999 S24-77000		
B42	137.5	034-67153	R (CW) L (CCW)	S24-76330 S24-76331	S24-76981 S24-76982	S24-90588 S24-90589	S24-77001 S24-77002		
Port plate (Bi-directional)		Pressure	N	034-67479	034-67479	034-67479	034-67479		
		Rear ass'y ³	N	S24-76332	S24-76916	S24-90562	S24-76332		

¹ Seal class : S**-*****-0 = Buna N (standard), S**-*****-4 = EPR, S**-*****-5 = Viton

² Rotation is given view from shaft end.

³ Port-Plates, rear assembly = Port-plate + dowel pin + bronze bush (when applicable)

1. Industrial Series

Size		Series	Cartridges ¹						
E		6	Rotation ²	T6E T6ER	T6EB T6EC T6ED T6EE T6EDC T6EDB	T6EE			
Cam	ml/rev.	Cam Code							
042	132.3	034-66899	R (CW) L (CCW)	S24-49388 S24-49389	S24-49390 S24-49391	S24-69054 S24-69055			
045	142.4	034-59164	R (CW) L (CCW)	S24-10177 S24-10178	S24-10205 S24-10206	S24-69056 S24-69057			
050	158.5	034-66744	R (CW) L (CCW)	S24-40645 S24-40766	S24-40769 S24-40770	S24-69058 S24-69059			
052	164.8	034-59165	R (CW) L (CCW)	S24-10179 S24-10180	S24-10207 S24-10208	S24-69060 S24-69061			
054	171.0	034-67420	R (CW) L (CCW)	Denison Denison	Denison Denison	Denison Denison			
057	183.3	034-67360	R (CW) L (CCW)	Denison Denison	S24-77059 S24-72466	Denison Denison			
062	196.7	034-59166	R (CW) L (CCW)	S24-10181 S24-10182	S24-10209 S24-10210	S24-69062 S24-69063			
066	213.3	034-59167	R (CW) L (CCW)	S24-10183 S24-10184	S24-10211 S24-10212	S24-69064 S24-69065			
072	227.1	034-66736	R (CW) L (CCW)	S24-40026 S24-40027	S24-40375 S24-40376	S24-69066 S24-69067			
085	269.0	034-67030	R (CW) L (CCW)	S24-58998 S24-58999	S24-59352 S24-68983	S24-69068 S24-69069			
Port Plates		Pressure	R (CW) L (CCW)	034-59159 034-59160	034-59159 034-59160	034-59160 034-59159			
		Rear ass'y ³	R (CW) L (CCW)	S24-10175 S24-10176	S24-10214 S24-10215	S24-69074 S24-69075			
E		7	Rotation ²	T7E T7ER	T7EB T67EC T7ED T7EE T67EDC T7EDB	T7EE			
Cam	ml/rev.	Cam Code							
042	132.3	034-67503	R (CW) L (CCW)	S24-77575 S24-77576	S24-77675 S24-77676	S24-90000 S24-90001			
045	142.4	034-67504	R (CW) L (CCW)	S24-77577 S24-77578	S24-77677 S24-77678	S24-90002 S24-90003			
050	158.5	034-67505	R (CW) L (CCW)	S24-77579 S24-77580	S24-77679 S24-77680	S24-90004 S24-90005			
052	164.8	034-67506	R (CW) L (CCW)	S24-77581 S24-77582	S24-77681 S24-77682	S24-90006 S24-90007			
054	171.0	034-67619	R (CW) L (CCW)	S24-77583 S24-77584	S24-77683 S24-77684	S24-90008 S24-90009			
057	183.3	034-67507	R (CW) L (CCW)	S24-77585 S24-77586	S24-77685 S24-77686	S24-90010 S24-90011			
062	196.7	034-67508	R (CW) L (CCW)	S24-77587 S24-77588	S24-77687 S24-77688	S24-90012 S24-90013			
066	213.3	034-67509	R (CW) L (CCW)	S24-77589 S24-77590	S24-77689 S24-77690	S24-90014 S24-90015			
072	227.1	034-67447	R (CW) L (CCW)	S24-77591 S24-77592	S24-77691 S24-77692	S24-90016 S24-90017			
085	269.0	034-67455	R (CW) L (CCW)	S24-77593 S24-77594	S24-77693 S24-77694	S24-90018 S24-90019			
Port Plates		Pressure	R (CW) L (CCW)	034-67408 034-67434	034-67408 034-67434	034-67408 034-67434			
		Rear ass'y ³	R (CW) L (CCW)	S24-72257 S24-72258	S24-73820 S24-76213	S24-90051 S24-90552			

¹ Seal class : S**-*****-0 = Buna N (standard), S**-*****-4 = EPR, S**-*****-5 = Viton

² Rotation is given view from shaft end.

³ Port-Plates, rear assembly = Port-plate + dowel pin + bronze bush (when applicable)

2. Mobile Series

Size		Series	Cartridges ¹						
CM		6	Rotation ²	T6 ^{CM}	T6 ^{CCM}	T6D ^{CM} T6E ^{CM}	T6D ^{CCM}	T6C ^{CM} T6D ^{CCM} T6E ^{CM} T6H20 ^C T6H29 ^C	T6 ^{CRM}
				Cam	ml/rev.	Cam Code			
B03	10.8	034-59050	R (CW) L (CCW)	S24-30097 S24-30098	S24-40150 S24-40151	S24-40175 S24-40176	S24-40505 S24-40506	S24-40200 S24-40201	S24-44646 S24-44647
B05	17.2	034-59051	R (CW) L (CCW)	S24-30099 S24-30100	S24-40152 S24-40153	S24-40177 S24-40178	S24-40507 S24-40508	S24-40202 S24-40203	S24-44648 S24-44649
B06	21.3	034-59052	R (CW) L (CCW)	S24-30101 S24-30102	S24-40154 S24-40155	S24-40179 S24-40180	S24-40509 S24-40510	S24-40204 S24-40205	S24-44650 S24-44651
B08	26.4	034-50953	R (CW) L (CCW)	S24-30103 S24-30104	S24-40156 S24-40157	S24-40181 S24-40182	S24-40511 S24-40512	S24-40206 S24-40207	S24-44652 S24-44653
B10	34.1	034-59054	R (CW) L (CCW)	S24-30105 S24-30106	S24-40158 S24-40159	S24-40183 S24-40184	S24-40513 S24-40514	S24-40208 S24-40209	S24-44654 S24-44655
B12	37.1	034-66595	R (CW) L (CCW)	S24-30107 S24-30108	S24-40160 S24-40161	S24-40185 S24-40186	S24-40515 S24-40516	S24-40210 S24-40211	S24-44656 S24-44657
B14	46.0	034-59206	R (CW) L (CCW)	S24-30109 S24-30110	S24-40162 S24-40163	S24-40187 S24-40188	S24-40517 S24-40518	S24-40212 S24-40213	S24-44658 S24-44659
B17	58.3	034-59207	R (CW) L (CCW)	S24-30111 S24-30112	S24-40164 S24-40165	S24-40189 S24-40190	S24-40519 S24-40520	S24-40214 S24-40215	S24-44660 S24-44661
B20	63.8	034-66607	R (CW) L (CCW)	S24-30113 S24-30114	S24-40166 S24-40167	S24-40191 S24-40192	S24-40521 S24-40522	S24-40216 S24-40217	S24-44662 S24-44663
B22	70.3	034-59208	R (CW) L (CCW)	S24-30115 S24-30116	S24-40168 S24-40169	S24-40193 S24-40194	S24-40523 S24-40524	S24-40218 S24-40219	S24-44664 S24-44665
B25	79.3	034-59209	R (CW) L (CCW)	S24-30117 S24-30118	S24-40170 S24-40171	S24-40195 S24-40196	S24-40525 S24-40526	S24-40220 S24-40221	S24-44666 S24-44667
B28	88.8	034-59245	R (CW) L (CCW)	S24-30119 S24-30120	S24-40172 S24-40173	S24-40197 S24-40198	S24-40527 S24-40528	S24-40222 S24-40223	S24-44668 S24-44669
B31	100.0	034-66843	R (CW) L (CCW)	S24-45791 S24-45792	S24-45793 S24-45794	S24-45795 S24-45796	S24-45777 S24-45778	S24-45775 S24-45776	S24-49345 S24-58015
Port-Plates (Bi-directional)		Pressure	N	034-66453	034-66453	034-66453	034-66493	034-66453	034-66453
		Rear ass'y ³	N	S14-45605	S24-10418	S24-10139	S24-10418	S24-10349	S14-45605
DM		6	Rotation ²	T6 ^{DM} T6D ^{CCM} T6D ^{RM}	T6 ^{DCM}	T6E ^{DM} T6E ^{DCM}			
				Cam	ml/rev.	Cam Code			
B14	47.6	034-66708	R (CW) L (CCW)	S24-40789 S24-40790	S24-40793 S24-40794	S24-40797 S24-40798			
B17	58.2	034-67028	R (CW) L (CCW)	S24-63325 S24-64242	S24-64379 S24-64380	S24-68493 S24-68494			
B20	66.0	034-66596	R (CW) L (CCW)	S24-30139 S24-30140	S24-40055 S24-40056	S24-40330 S24-40331			
B24	79.5	034-59294	R (CW) L (CCW)	S24-30141 S24-30142	S24-40057 S24-40058	S24-40332 S24-40333			
B28	89.7	034-59133	R (CW) L (CCW)	S24-30143 S24-30144	S24-40059 S24-40060	S24-40334 S24-40335			
B31	98.3	034-59135	R (CW) L (CCW)	S24-30145 S24-30146	S24-40061 S24-40062	S24-40336 S24-40337			
B35	111.0	034-59137	R (CW) L (CCW)	S24-30147 S24-30148	S24-40063 S24-40064	S24-40338 S24-40339			
B38	120.3	034-59139	R (CW) L (CCW)	S24-30149 S24-30150	S24-40065 S24-40066	S24-40340 S24-40341			
B42	136.0	034-59132	R (CW) L (CCW)	S24-30151 S24-30152	S24-40067 S24-40068	S24-40342 S24-40343			
B45	145.7	034-59131	R (CW) L (CCW)	S24-30153 S24-30154	S24-40069 S24-40070	S24-40344 S24-40345			
B50	158.0	034-66737	R (CW) L (CCW)	S24-40030 S24-40031	S24-40071 S24-40072	S24-40346 S24-40347			
Port-Plates (Bi-directional)		Pressure	N	034-59057	034-59057	034-59057			
		Rear ass'y ³	N	S24-10122	S24-10187	S24-10216			

¹ Seal class : S**-*****-0 = Buna N (standard), S**-*****-4 = EPR, S**-*****-5 = Viton

² Rotation is given view from shaft end.

³ Port-Plates, rear assembly = Port-plate + dowel pin + bronze bush (when applicable)

2. Mobile Series

Size		Series	Cartridges ¹						
EM		6	Rotation ²	T6 ^{EM} T6 ^{ERM}	T6 ^{ECM} T6 ^{EDM} T6 ^{EDCM}				
Cam	ml/rev.	Cam Code							
042	132.3	034-66899	R (CW) L (CCW)	S24-49392 S24-49393	S24-49394 S24-49395				
045	142.4	034-59164	R (CW) L (CCW)	S24-40014 S24-40015	S24-40377 S24-40378				
050	158.5	034-66744	R (CW) L (CCW)	S24-40767 S24-40768	S24-40771 S24-40772				
052	164.8	034-59165	R (CW) L (CCW)	S24-40016 S24-40017	S24-40379 S24-40380				
054	171.0	034-67420	R (CW) L (CCW)	Denison Denison	Denison Denison				
057	183.3	034-67360	R (CW) L (CCW)	Denison Denison	Denison Denison				
062	196.7	034-59166	R (CW) L (CCW)	S24-40018 S24-40019	S24-40381 S24-40382				
066	213.3	034-59167	R (CW) L (CCW)	S24-40020 S24-40021	S24-40383 S24-40384				
072	227.1	034-66736	R (CW) L (CCW)	S24-40022 S24-40023	S24-40385 S24-40386				
085	269.0	034-67030	R (CW) L (CCW)	S24-59885 S24-64529	S24-68723 S24-68724				
Port Plates	Pressure		R (CW) L (CCW)	034-59159 034-59160	034-59159 034-59160				
	Rear ass'y ³		R (CW) L (CCW)	S24-10175 S24-10176	S24-10214 S24-10215				

¹ Seal class : S**-*****-0 = Buna N (standard), S**-*****-4 = EPR, S**-*****-5 = Viton

² Rotation is given view from shaft end.

³ Port-Plates, rear assembly = Port-plate + dowel pin + bronze bush (when applicable)

3. Shaft Assemblies & Seal Kits

SAE Series		Shaft assemblies ¹						Seal Kits ²
		#1	#2	#3	#4	#5	Others	
Single Pumps	T7BS	S24-50140	S24-50142	S24-50141	S24-59295			S24-49112
	T6C, T6CM	S14-24570	S14-25645	S14-24569	S24-10430			S24-10133
	T6D, T7DS, T6DM	S14-20084	S14-25646	S14-20085	S14-40835	S24-45064		S24-10138
	T6E, T7ES, T6EM	S14-28174	S24-49212	S14-28173	S24-00092	S24-76750	#T: S24-33622	S24-10186
	T6CR, T6CRM	S24-26345	S24-26344	S24-26346	S24-26347	S24-26348		S24-26387
	T6DR, T7DRS, T6DRM	S24-26349	S24-26350	S24-26351		S24-26352		S24-26384
	T6ER, T7ERS, T6ERM	S24-26339		S24-49361	S24-26340			S24-26381
Double Pumps	T7BBS	S24-63463	S24-26208	S24-63464	S24-63465	S24-63466		S14-97724
	T67CB, T6CC, T6CCM	S24-10346		S24-10348		S24-10347		S24-10352
	T67CBW		S24-26208					S14-97724
	T6CCW T6CCMW		S24-26208				#R: S24-30001 #T: S24-40034 #V: S14-97723 #W: S24-26376 #X: S24-26211	S14-97724
	T7DBS	S14-42520	S14-42521	S14-42518	S14-42519	S24-45065		S24-10170
	T67DB	S14-42520	S14-42521	S14-42518	S14-42519			S24-10170
	T6DC, T67DC, T6DCM	S14-42520	S14-42521	S14-42518	S14-42519			S24-10170
	T6DCW, T67DCW, T6DCMW					S24-26206	#T: S24-33620	S24-26207
	T7DDS	S24-72352	S24-72353	S24-72354	S24-72355	S24-77003		S24-72351
	T6DDS	S24-72352	S24-72353	S24-72354	S24-72355	S24-72356		S24-72351
	T67EB, T7EBS	S14-28178	S24-49213	S14-28176	S14-28177	S24-77721		S24-10242
	T6EC, T67EC, T6ECM	S14-28178	S24-49213	S14-28176	S14-28177		#T: S24-33621	S24-10242
	T6ED, T7EDS, T6EDM	S14-28182	S14-49214	S14-28180	S14-28181	Denison	#T: S24-40543	S24-10219
T6EES, T7EES	S24-69070	S24-69071	S24-69072	S24-69761	S24-69762		S24-69073	
Triple Pumps	T67DBB, T67DBB (B des.)	S24-25571	S24-25572	S24-25573	S24-25574			S24-25575
	T67DCB, T67DCB (B des.)	S24-25571	S24-25572	S24-25573	S24-25574			S24-25575
	T6DCC, T67DCC, T6DCCM	S24-25571	S24-25572	S24-25573	S24-25574		#6: S24-40504	S24-25575
	T67DDBS, T7DDBS	S24-72358	S24-72359	S24-72360	S24-72361	S24-72362		S24-72357
	T6DDCS, T67DDCS	S24-72358	S24-72359	S24-72360	S24-72361	S24-72362		S24-72357
	T7EDBS		S24-51348	S24-44517				S24-44823
	T67EDCS		S24-51348	S24-44517				S24-44823
	T6EDCM			S24-44517				S24-44823
	T6DCCR, T67DCCR		S24-45371	S24-40638				S24-45299
	T6EDCR, T67EDCRS	S24-44979		S24-44978				S24-44977
Hybrid Pumps ³	T6H20B	S24-72830		S24-72831	S24-72832	S24-72833		S24-72839
	T6H20C	S24-72830		S24-72831	S24-72832	S24-72833		S24-72839
	T6H29B	S24-72700		S24-72703				S24-59492
	T6H29C	S24-72700		S24-72703				S24-59492
	T6H29D	S24-72701		S24-72704				S24-51448

¹ Shaft assembly = Shaft + Key (if applicable) + bearing + snap-rings (when applicable)

² Seal class : S**_*****-0 = Buna N (standard), S**_*****-4 = EPR, S**_*****-5 = Viton

³ Latest version, with taper shaft bearing. Consult Denison Hydraulics for previous versions (ball bearing).

3. Shaft Assemblies & Seal Kits

ISO Series		Shaft assemblies ¹					Seal Kits ²
		#1	#2	#3	#4	#5	
Single Pumps	T7B		S24-50142				S24-49112
	T7D	S14-20084	S14-25646	S14-20085	S14-40835	S24-45064	S24-10138
	T7E					S24-76750	S24-10186
Double Pumps	T7BB					S24-63466	S14-97724
	T7DB					S24-45065	S24-10170
	T7DD					S24-77003	S24-72351
	T7EB					S24-77721	S24-10242
	T7ED					Denison	S24-10219
	T7EE		S24-69071				S24-69073
Triple Pumps	T7DDB	Denison				Denison	S24-72357
	T67EDB	S24-44516					S24-44823
	T7EDB	S24-44516					S24-44823
	T6EDC	S24-44516					S24-44823
	T6EDCM	S24-44516					S24-44823
	T67EDC	S24-44516					S24-44823

T6CR, T6DR, T6ER T6CRM, T6DRM, T6ERM		Adapter size		
		SAE-A	SAE-B	SAE-C
Rear Adapter Kits ³	Adapter + Seals + Bolts	S24-73903	S24-73904	S24-49851
Coupling	SAE-A (9 teeth)	034-66537		
	SAE (11 teeth)	034-66652		
	SAE-B	034-66649	034-66540	
	SAE-BB		034-66543	
	SAE-C			034-66546

¹ Shaft assembly = Shaft + Key (if applicable) + bearing + snap-rings (when applicable)

² Seal class : S**-*****-0 = Buna N (standard), S**-*****-4 = EPR, S**-*****-5 = Viton

³ Seal class : S**-*****-0 = Buna N (standard), S**-*****-4 = EPR, S**-*****-5 = Viton

4. Port-Plates

Port-Plates ^{1, 2}	Cartridges			R (CW)		L (CCW)		Bi-directional		
	Port	Size	Series	Pressure	Rear ass'y	Pressure	Rear ass'y	Pressure	Rear ass'y	
Industrial	T6C		C	6	034-59772	S24-10803	034-59773	S24-10804	-	-
	T6CR		C	6	034-59772	S24-10808	034-59773	S24-10807	-	-
	T6D, T6DR		D	6	034-67111	S24-63709	034-67113	S24-63710	-	-
	T6E, T6ER		E	6	034-59159	S24-10175	034-59160	S24-10176	-	-
	T67CB,	P1	C	6	034-59772	S24-10805	034-59773	S24-10806	-	-
	T67CBW	P2	B	7	-	-	-	-	034-66923	S24-50642
	T6CC,	P1	C	6	034-59772	S24-10805	034-59773	S24-10806	-	-
	T6CCW	P2	C	6	034-59773	S24-10807	034-59772	S24-10808	-	-
	T67DB,	P1	D	6	034-67111	S24-63950	034-67113	S24-63951	-	-
	T67DBW	P2	B	7	-	-	-	-	034-66923	S24-51527
	T6DC,	P1	D	6	034-67111	S24-63950	034-67113	S24-63951	-	-
	T6DCW	P2	C	6	034-59773	S24-10809	034-59772	S24-10810	-	-
	T6DDS	P1	D	6	034-67111	S24-63950	034-67113	S24-63951	-	-
		P2	D	6	034-67113	S24-63710	034-67111	S24-63709	-	-
	T67EB	P1	E	6	034-59159	S24-10214	034-59160	S24-10215	-	-
		P2	B	7	-	-	-	-	034-66923	S24-51527
	T6EC	P1	E	6	034-59159	S24-10214	034-59160	S24-10215	-	-
		P2	C	6	034-59773	S24-10809	034-59772	S24-10810	-	-
	T6ED	P1	E	6	034-59159	S24-10214	034-59160	S24-10215	-	-
		P2	D	6	034-67113	S24-76148	034-67111	S24-76149	-	-
	T6EE(S)	P1	E	6	034-59159	S24-10214	034-59160	S24-10215	-	-
		P2	E	6	034-59160	S24-69074	034-59159	S24-69075	-	-
	T67DBB (A design)	P1	D	6	034-67111	S24-63709	034-67113	S24-63710	-	-
		P2	B	7	-	-	-	-	034-37060	S24-59751
		P3	B	7	-	-	-	-	034-66923	S24-50642
	T67DCB (A design)	P1	D	6	034-67111	S24-63709	034-67113	S24-63710	-	-
		P2	C	6	034-66521	S24-10806	034-66522	S24-10805	-	-
		P3	B	7	-	-	-	-	034-66923	S24-50642
T6DCC, T6DCCR	P1	D	6	034-67111	S24-63709	034-67113	S24-63710	-	-	
	P2	C	6	034-66521	S24-10806	034-66522	S24-10805	-	-	
	P3	C	6	034-59773	S24-10807	034-59772	S24-10808	-	-	
T6DDCS	P1	D	6	034-67111	S24-10831	034-67113	S24-10832	-	-	
	P2	D	6	034-67113	S24-63710	034-67111	S24-63709	-	-	
	P3	C	6	034-59773	S24-10807	034-59772	S24-10808	-	-	
T67EDB	P1	E	6	034-59159	S24-10214	034-59160	S24-10215	-	-	
	P2	D	6	034-67113	S24-76148	034-67111	S24-76149	-	-	
	P3	B	7	-	-	-	-	034-66923	S24-50642	
T6EDC, T6EDCR	P1	E	6	034-59159	S24-10214	034-59160	S14-10215	-	-	
	P2	D	6	034-67113	S24-76148	034-67111	S24-76149	-	-	
	P3	C	6	034-59773	S24-10807	034-59772	S14-10808	-	-	
T6H20C	P2	C	6	034-59773	S24-10807	034-59772	S24-10808	-	-	
T6H29C	P2	C	6	034-59773	S24-10807	034-59772	S24-10808	-	-	
T6H29D	P2	D	6	034-67113	S24-63710	034-67111	S24-63709	-	-	
Mobile ³	T6CM		C	6	-	-	-	-	034-66453	S14-45605
	T6CRM		C	6	-	-	-	-	034-66453	S14-45605
	T6DM, T6DRM		D	6	034-67111	S24-63709	034-67113	S24-63710	034-59057	S24-10122
	T6EM, T6ERM		E	6	034-59159	S24-10175	034-59160	S24-10176	-	-
	T6CCM, T6CCMW	P1	C	6	-	-	-	-	034-66453	S24-10418
		P2	C	6	-	-	-	-	034-66453	S24-10349
	T6DCM, T6DCMW	P1	D	6	034-67111	S24-63950	034-67113	S24-63951	034-59057	S24-10187
		P2	C	6	-	-	-	-	034-66453	S24-10139
	T6ECM	P1	E	6	034-59159	S24-10214	034-59160	S24-10215	-	-
		P2	C	6	-	-	-	-	034-66453	S24-10139
	T6EDM	P1	E	6	034-59159	S24-10214	034-59160	S24-10215	-	-
		P2	D	6	034-67113	S24-76148	034-67111	S24-76149	034-59057	S24-10216
	T6DCCM	P1	D	6	034-67111	S24-63709	034-67113	S24-63710	034-59057	S24-10122
		P2	C	6	-	-	-	-	034-66493	S24-10418
		P3	C	6	-	-	-	-	034-66453	S24-10349
	T6EDCM/S	P1	E	6	034-59159	S24-10214	034-59160	S14-10215	-	-
	P2	D	6	034-67113	S24-76148	034-67111	S24-76149	034-59057	S24-10216	
	P3	C	6	-	-	-	-	034-66453	S24-10349	
T6H20C	P2	C	6	-	-	-	-	034-66453	S24-10349	
T6H29C	P2	C	6	-	-	-	-	034-66453	S24-10349	
T6H29D	P2	D	6	-	-	-	-	-	-	

¹ Port-Plates, rear assembly = Port-plate + dowel pin + bronze bush (when applicable)

² Rotation is given view from shaft end

³ Mobile D port-plates : standard = bi-directional, high-speed = uni-directional (consult Denison for detail)

4. Port-Plates

Port-Plates ^{1, 2}	Cartridge			R (CW)		L (CCW)		Bi-directional	
	Port	Size	Series	Pressure	Rear ass'y	Pressure	Rear ass'y	Pressure	Rear ass'y
T7B T7BS	P	B	7	-	-	-	-	034-66923	S24-49791
T7D, T7DS T7DR, T7DRS	P	D	7	-	-	-	-	034-67479	S24-76332
T7E, T7ES T7ER, T7ERS	P	E	7	034-67408	S24-72257	034-67434	S24-72258	-	-
T7BB(S)	P1 P2	B B	7 7	-	-	-	-	034-66923 034-66923	S24-58196 S24-50642
T7DB, T7DBW	P1 P2	D B	7 7	-	-	-	-	034-67479 034-66923	S24-76916 S24-51527
T67DC, T67DCW	P1 P2	D C	7 6	- 034-59773	- S24-10809	- 034-59772	- S24-10810	034-67479 -	S24-76916 -
T7DD, T7DDS	P1 P2	D D	7 7	-	-	-	-	034-67479 034-67479	S24-76916 S24-76332
T7EB, T7EBS	P1 P2	E B	7 7	034-67408 -	S24-73820 -	034-67434 -	S24-76213 -	- 034-66923	- S24-51527
T67EC	P1 P2	E C	7 6	034-67408 034-59773	S24-73820 S24-10809	034-67434 034-59772	S24-76213 S24-10810	- 034-66453	- S24-10139
T7ED, T7EDS	P1 P2	E D	7 7	034-67408 -	S24-73820 -	034-67434 -	S24-76213 -	- 034-67479	- S24-76332
T7EE, T7EES	P1 P2	E E	7 7	034-67408 Denison	S24-73820 Denison	034-67434 Denison	S24-76213 Denison	-	-
T67DBB (B design)	P1 P2 P3	D B B	7 7 7	- - -	- - -	- - -	- - -	034-67479 034-37060 034-66923	S24-76916 S24-59751 S24-50642
T67DCB (B design)	P1 P2 P3	D C B	7 6 7	- 034-66521 -	- S24-10806 -	- 034-66522 -	- S24-10805 -	034-67479 - 034-66923	S24-76916 - S24-50642
T67DCC	P1 P2 P3	D C C	7 6 6	- 034-66521 034-59773	- S24-10806 S24-10807	- 034-66522 034-59772	- S24-10805 S24-10808	034-67479 - -	S24-76916 - -
T7DDB, T7DDBS	P1 P2 P3	D D B	7 7 7	- - -	- - -	- - -	- - -	034-67479 034-67479 034-66923	S24-76916 Denison S24-50642
T67DDCS	P1 P2 P3	D D C	7 7 6	- - 034-59773	- - S24-10807	- - 034-59772	- - S24-10808	034-67479 034-67479 -	S24-76916 Denison -
T7EDB, T7EDBS	P1 P2 P3	E D B	7 7 7	034-67408 - -	S24-73820 - -	034-67434 - -	S24-76213 - -	- 034-67479 034-66923	- Denison S24-50642
T67EDC, T67EDCS	P1 P2 P3	E D C	7 7 6	034-67408 - 034-59773	S24-73820 - S24-10807	034-67434 - 034-59772	S24-76213 - S14-10808	- 034-67479 034-66453	- Denison S24-10349
T6DCCR	P1 P2 P3	D C C	7 6 6	- 034-66521 034-59773	- S24-10806 S24-10807	- 034-66522 034-59772	- S24-10805 S24-10808	034-67479 - -	S24-76916 - -
T6EDCR	P1 P2 P3	E D C	7 7 6	034-59159 034-67113 034-59773	S24-10214 S24-76148 S24-10807	034-59160 034-67111 034-59772	S24-10215 S24-76149 S14-10808	-	-
T6H20B	P2	B	7	-	-	-	-	034-66923	S24-50642
T6H29B	P2	B	7	-	-	-	-	034-66923	S24-50642
T6H29D	P2	D	7	-	-	-	-	034-67479	Denison

¹ Port-Plates, rear assembly = Port-plate + dowel pin + bronze bush (when applicable)

² Rotation is given view from shaft end

International Distributors

Europe :

Cyprus
Eastern Europe
The Faroe Islands
Greece
Iceland
Norway
Portugal
Switzerland
Turkey

Africa :

Algeria
Egypt
Ivory Coast
Morocco
Nigeria
South Africa
Togo
Tunisia

Middle East :

Iran
Israel
Lebanon
Pakistan
Qatar
Saudi Arabia
Syria
United Arab Emirates

Far East :

Indonesia
Korea
Malaysia
New Zealand
Philippines
Thailand

South-America :

Argentina
Brazil
Chile
Colombia
Ecuador
Mexico
Peru
Venezuela

Asia-Pacific

Australia

Denison Hydraulics PTY
41-43 St Hilliers Road
P.O.Box 192
Auburn N.S.W. 2144, Australia
Tel : +61 (2) 9646 5200
Fax : +61 (2) 9643 1305

Hong Kong

Denison Hydraulics Ltd.
Unit 6A, 33/F Cable TV Tower
9 Hoi Shing Road, Tsuen Wan
NT, Hong Kong
Tel : +852 2498 8381
Fax : +852 2499 1522

Japan

Denison Japan Inc.
4-2-1 Tsujido-Shinmachi
Fujisawa 251, Japan
Tel : +81 (466) 35-3050
Fax : +81 (466) 35-2019

People Republic of China

Shanghai Denison Hydraulics
Engineering Ltd.
Room 8018, No 601, Zhang
Yang Road, Pudong New Area
Shanghai 200120, China
Tel : +86 (21) 5820 5042/34
Fax : +86 (21) 5820 5014

Singapore

Denison Hydraulics PTE LTD
Blk 5 #06-12 Ang Mo Kio
Industrial Park 2A
Singapore 567760
Tel : +65 6268 7840
Fax : +65 6268 7847

Taiwan

Denison Hydraulics LTD
6F-10. No. 79, Sec. 2
Roosevelt Road, Taipei
Tel : +886 2 23645101
Fax : +886 2 23639025

Europe

Austria

Denison Hydraulics GmbH
Zweigniederlassung Linz
Haibachstraße 69
4061 Pasching, Austria
Tel : +43 (72 29) 48 87
Fax : +43 (72 29) 6 30 92

Benelux

Denison Hydraulics Benelux B.V.
Pascalstraat 100
3316 GR Dordrecht, Holland
Tel : +31 (78) 6543 070
Fax : +31 (78) 6175 755

Denmark

Denison Hydraulics Denmark A/S
Industrikrogen 2
2635 Ishøj, Denmark
Tel : +45 (4371) 15 00
Fax : +45 (4371) 15 16

Finland

Denison Lokomec
Polunmäenkatu 22
P.O.Box 116
33721 Tampere, Finland
Tel : + 358 (3) 3575 100
Fax : + 358 (3) 3575 111

France

Denison Hydraulics S.A.
14 route du bois blanc
BP 539
18105 Vierzon, France
Tel : +33 (2) 48 53 01 20
Fax : +33 (2) 48 75 02 91

Great Britain

Denison Hydraulics UK LTD
Kenmore road
Wakefield 41, Industrial Park
Wakefield, WF2 OXE
West Yorkshire, England
Tel : +44 (1924) 826 021
Fax : +44 (1924) 826 146

Germany

Denison Hydraulics GmbH.
Postfach 540
D-40705 Hilden
Auf dem Sand 14
D-40721 Hilden, Germany
Tel : +49 (2103) 940 03
Fax : +49 (2103) 940 558

Italy

Denison Hydraulics Srl
Via Le Europa 68
20090 Cusago (MI), Italy
Tel : +39 (02) 90330-1
Fax : +39 (02) 90390694/5/6

Denison Calzoni S.p.A
Via Caduti di Sabbiano15/17
40011 Anzola dell'Emilia
Bologna, Italy
Tel : +39 (051) 6501611
Fax : +39 (051) 736221

Spain

Denison Hydraulics S.A.
Gomis 1
08023 Barcelona, Spain
Tel : +34 (93) 418 4887
Fax : +34 (93) 211 6507

Sweden

Denison Hydraulics Svenska AB
Sporregatan 13
213 77 - Malmö, Sweden
Tel : +46 (40) 600 13 00
Fax : +46 (40) 600 13 50

North America

Canada

Denison Hydraulics Canada Inc.
2880 Brighton Road, Unit 1
Oakville, ON L6H 5S3, Canada
Tel : +1 (905) 829 5800
Fax : +1 (905) 829 5805

Mexico, Central America, South America, Caribbean countries

Denison Hydraulics Corp.
6167 NW 181 Terrace Circle
North Miami, FL 33015, USA
Tel : +1 (305) 362 2246
Fax : +1 (305) 362 6220

USA

Denison Hydraulics Corp.
14249 Industrial Parkway
Marysville, OH 43040, USA
Tel : +1 (937) 644 3915
Fax : +1 (937) 642 3738

Others

Other European, Middle East, African countries

Denison Hydraulics S.A.
14 route du bois blanc
BP 538
18105 Vierzon, France
Tel : +33 (2) 48 53 01 20
Fax : +33 (2) 48 53 01 46

Your local Denison Hydraulics representative

DENISON Hydraulics